

THRU-BULKHEAD RECEPTACLE.

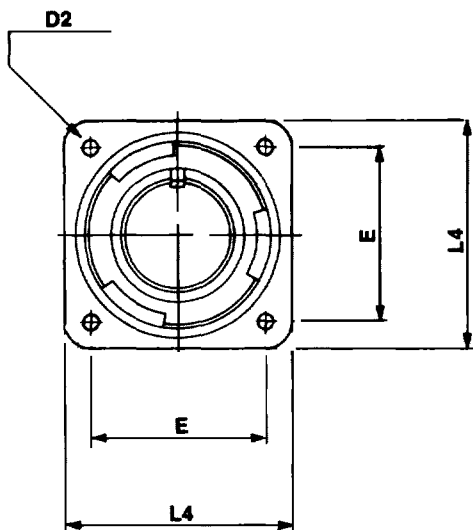
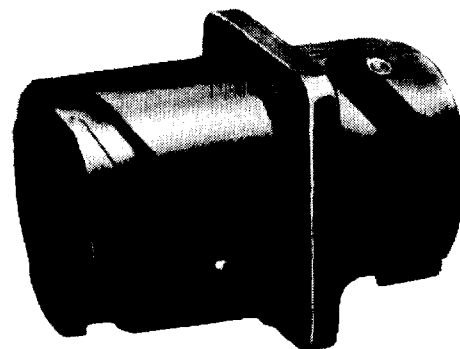
CIR TBFP / TB

CIR TBFP

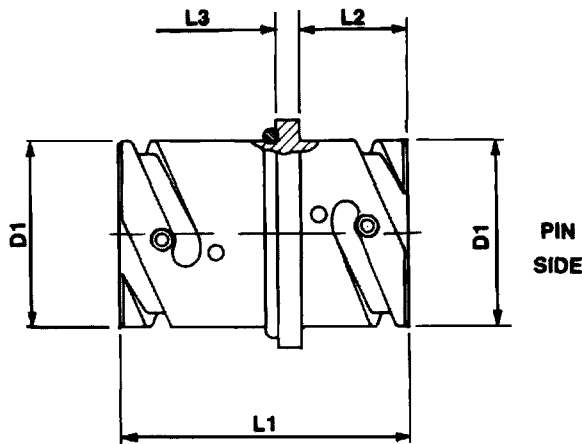
Thru-bulkhead receptacle with four through mounting holes. Contacts supplied installed. Includes a panel seal O-ring. Accepts a mating plug on both sides. For panel thickness dimensions see page 9.

CIR TB

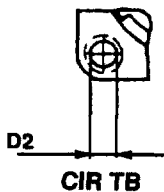
Thru-bulkhead receptacle with four threaded mounting holes. (See page 10.)



SOCKET SIDE



PIN SIDE



CIR TBFP/TB

DIMENSIONS ARE IN MM.

SHELL SIZE	TBFP		TB	E	L1	L2	L3	L4
	D1	D2						
10SL	18.2	3.2	M4	18.2	37.5	14.2	2.8	25.4
14S	24.6	3.2	M4	23	37.5	14.2	3.2	30
16S	27.4	3.2	M4	24.6	37.5	14.2	3.2	32.5
16	27.4	3.2	M4	24.6	51.4	19	3.2	32.5
18	30.8	3.2	M4	27	51.4	19	4	35
20	34.2	3.2	M4	29.4	51.4	19	4	38

SHELL SIZE	TBFP		TB	E	L1	L2	L3	L4
	D1	D2						
22	37.4	3.2	M4	31.8	51.4	19	4	41
24	40.9	3.7	M4	34.9	51.4	20.6	4	44.5
28	46.7	3.7	M5	39.7	51.4	20.6	4	50.8
32	53.4	4.3	M5	44.5	51.4	22.2	4	57
36	59.6	4.3	M5	49.2	51.4	22.2	4	63.5
40	65.5	4.3	M5	55.5	51.4	22.2	4	69.9